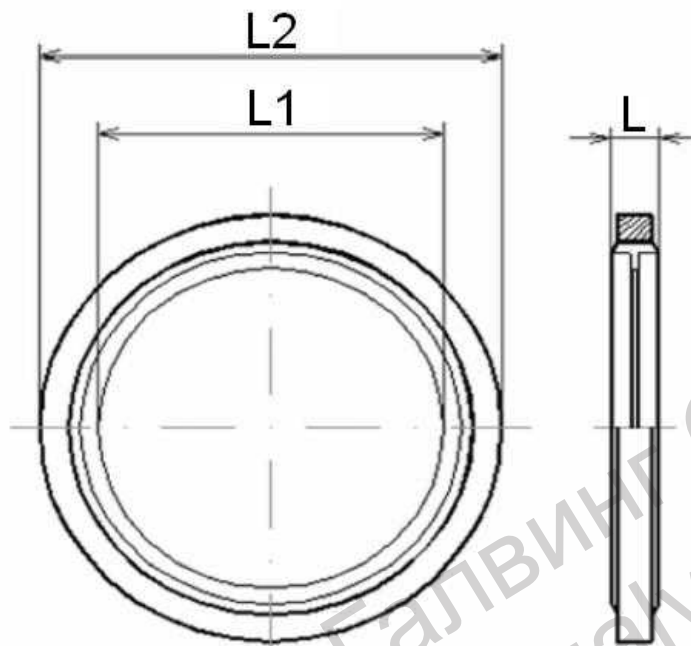


Metric, BSP and BSPT Adaptors

Bonded seals

## BSP Bonded Seal

Carbon steel

**Materials** · Washer: Steel. O'ring: NBR

**Working temperature** From -30°C to +100°C

Part n°	R1	Working Pressure (bar)	u/ Bag	L	L1	L2
T21002	1/8" BSP	900	100	2.03	10,37	15,88
T21004	1/4" BSP	930	100	2.03	13,74	20,57
T21006	3/8" BSP	756	100	2.03	17,28	23,8
T21008	1/2" BSP	690	100	2.5	21,54	28,58
T21010	5/8" BSP	750	100	2.5	23,49	31,75
T21012	3/4" BSP	636	100	2.5	27,5	34,93
T21016	1" BSP	400	50	2.5	33,89	42,8
T21020	1"1/4 BSP	410	25	3.25	42,93	52,38
T21024	1"1/2 BSP	410	25	3.25	48,44	58,6
T21032	2" BSP	420	25	3.25	60,58	73,3
T21040	2" 1/2 BSP	400	25	3.25	76,8	90,17